

DATA SHEET

Pluggable Multi-Pole SPD
ProTec T2-350-3+1
Class II • Type 2 • Type 1CA



Location of Use: Sub-Distribution Boards
 Network Systems: TT, TN-S
 Mode of Protection: L-N, N-PE
 Surge Ratings: $I_n = 20\text{kA}$ (8/20 μs)
 IEC/EN/UL Category: Class II / Type 2 / Type 1CA
 Protective Elements: High Energy MOV and GDT
 Housing: Pluggable Design
 Compliance: IEC 61643-11:2011
 EN 61643-11:2012
 UL 1449, 4th edition

Technical Data

ProTec T2-xxx-3+1

350

IEC Electrical

Nominal AC Voltage (50/60Hz)	U_o / U_n	277V
Maximum Continuous Operating Voltage (AC)	(L-N) U_c	350V
	(N-PE) U_c	305V
Nominal Discharge Current (8/20 μs)	(L-N)/(N-PE) I_n	20kA / 40kA
Maximum Discharge Current (8/20 μs)	(L-N)/(N-PE) I_{max}	50kA / 65kA
Voltage Protection Level	(L-N)/(N-PE) U_p	1750V / 1500V
Folow Current Interrupt Rating	(N-PE) I_{fi}	100A _{RMS}
Response Time	(L-N)/(N-PE) t_A	< 25ns / < 100ns
Back-Up Fuse (max)		315A gG / 250A gG
Short-Circuit Current Rating (AC)	I_{SCCR}	25kA / 50kA
TOV Withstand 5s	(L-N) U_T	403V
TOV Withstand 200ms	(N-PE) U_T	1200V / 300A
Number of Ports		1

UL Electrical

Maximum Continuous Operating Voltage (AC)	(L-N)/(N-PE) MCOV	350V / 305V
Voltage Protection Rating	(L-N)/(N-PE) VPR	1500V / 1500V
Nominal Discharge Current (8/20)	(L-N)/(N-PE) I_n	20kA / 20kA
Short-Circuit Current Rating (AC)	(L-N) SCCR	200kA

Mechanical

Operating Temperature Range	T_a	-40 °F to +185 °F [-40 °C to +85 °C]
Permissible Operating Humidity	RH	5%...95%
Altitude		13123 ft [4000m]
Terminal Screw Torque	M_{max}	39.9 lbf-in [4.5Nm]
Conductor Cross Section (max)		35mm ² (Solid) / 25mm ² (Stranded)
		2 AWG (Solid) / 4 AWG (Stranded)
Mounting		35mm DIN Rail, EN 60715
Degree Of Protection		IP 20
Housing Material		Thermoplastic: Extinguishing Degree UL 94 V-0
Thermal Protection		Yes
Operating State / Fault Indication		Green Flag / Not Green Flag
Remote Contacts (RC)		Optional
RC Switching Capacity		AC: 250V/ 1A, 125V/ 1A; DC: 48V/0.5A, 24V/0.5A, 12V/0.5A
RC Conductor Cross Section (max)		1.5mm ² (Solid)
		16 AWG (Solid)

Ordering Code

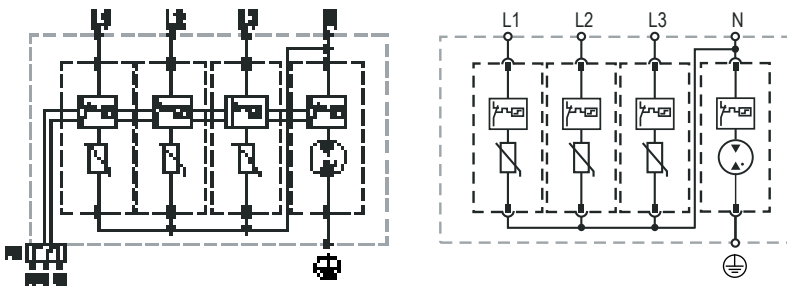
ProTec T2-350-3+1	58.0270
ProTec T2-350-3+1-R	58.0227
ProTec T2-350-P	58.0052
ProTube T2-40-P	58.0206
ProTec T2-350-3+1-B	580.270
ProTec T2-350-3+1-P	58.0269

ProTec T2-350-3+1

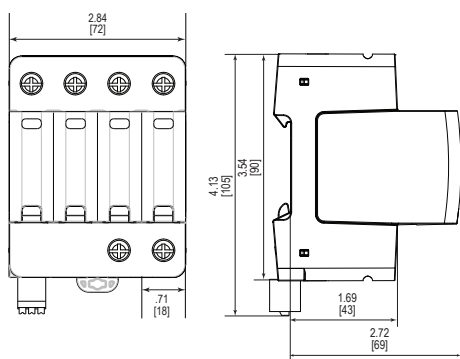
Internal Configuration

Legend

- L Line
- N Neutral
- PE Protective Earth
- RC Remote Contacts Optional



Dimensions & Weights



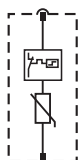
Weights

ProTec T2-xxx-3+1		350
Single Unit Weight	pounds	1.085
	grams	492
ProTec T2-xxx-3+1-R		350
Single Unit Weight	pounds	1.105
	grams	501

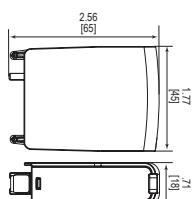
Plug Internal Configuration

ProTec T2-xxx-P

ProTube T2-40-P



Dimensions & Weights



Weights

ProTec T2-xxx-P		350
Single Unit Weight	pounds	.146
	grams	66
ProTube T2-40-P		350
Single Unit Weight	pounds	.093
	grams	42

inches
[mm]

Information contained in this document is subject to change at any time without notice.

